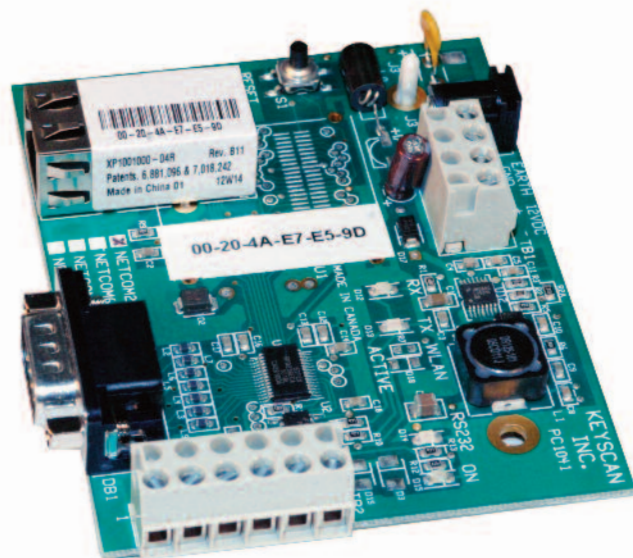


NETCOM2 and NETCOM6 (Encrypted)

Keyscan's NETCOM2 or NETCOM6 (encrypted) is a fast and easy way to allow Keyscan Access Control Units (ACUs) to be connected and communicate over a network. Both NETCOM2 and NETCOM6 (encrypted) are off-board communication modules that establish communication along an existing LAN/WAN network.

- Provides serial connection from the ACUs via 10/100 RJ45 network interface to communicate with a server or PC host
- Use static TCP/IP addresses to allow communication over an existing LAN/WAN network
- Unlimited units can be added to a system, offering an enterprise solution
- Fast, easy, trouble-free installation



Features and Benefits:

- Allows one or more Access Control Unit(s) to communicate on a LAN/WAN
- Fast and easy installation for each ACU
- Static TCP/IP communication protocol between PC NIC (Network Interface Card) and Access Control Unit(s) featuring NETCOM2 and NETCOM6 (encrypted)
- Requires Static IP addresses for proper operation
- NETCOM2 or NETCOM6 (encrypted) provides serial connection from the Access Control Unit(s) via 10/100 RJ45 network interface to communicate with the server
- Simplifies both installation and maintenance procedures
- NETCOM6 with AES Rijndael encryption

NET6-KHS for Keyscan Hosted Services:

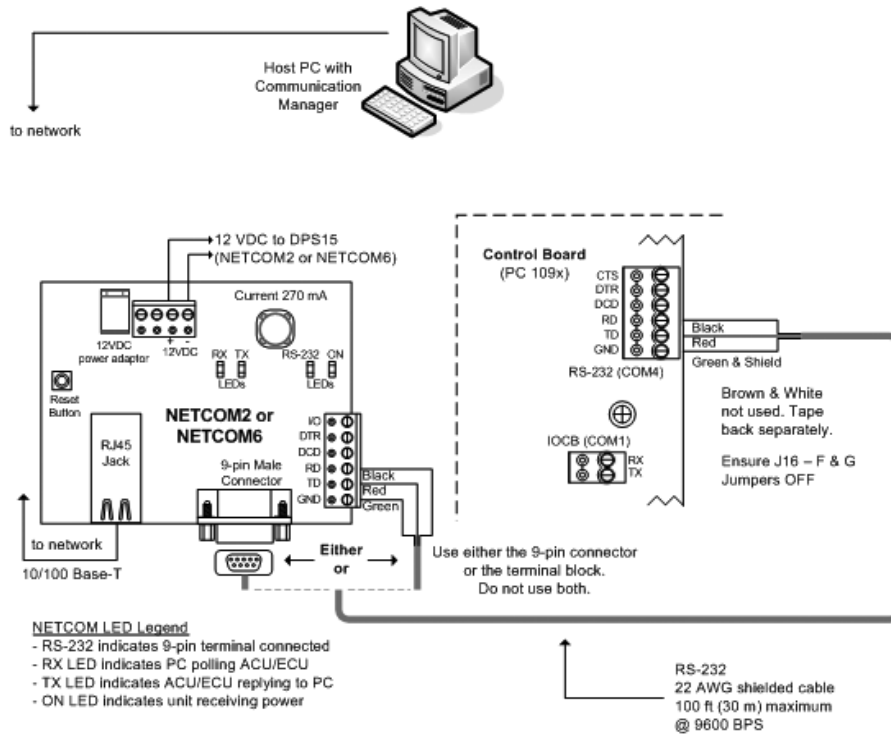
Keyscan's NET6-KHS (encrypted) TCP/IP communication modules are the fastest and easiest way to enable Keyscan Access Control Units (ACUs) to be connected and communicate via Keyscan Hosted Services.

The NET6-KHS (encrypted) communication module is DHCP set up and pre-configured to automatically connect to Keyscan servers allowing you to establish communication along an existing LAN/WAN network.

NETCOM2 / NETCOM6

TCP/IP Communication Modules

Applications:



Specifications:

Input Power

- 12 VDC, 270 mA, powered by DPS15

ACU/ECU to NETCOM

- 100ft (30 m) (22 AWG 3 pair shielded)

NETCOM to PC/Server

- Existing LAN/WAN (static TCP/IP protocol)

Agency Approvals - Ethernet socket

- Complies with Class B limits of EN 55022 : 1998
- Direct & Indirect ESD Complies with EN 55024 : 1998

Dimensions

- 3.031" x 3.896" (77mm x 99mm)

Environmental Tolerances

- Suitable for commercial and industrial applications

NET6-KHS (Keyscan Hosted Services only)

- DHCP IP set up; AES Rijndael encryption; Pre-configured to connect with Keyscan Servers

Operating Temperature

- 5° to 70°C (41° to 158°F)